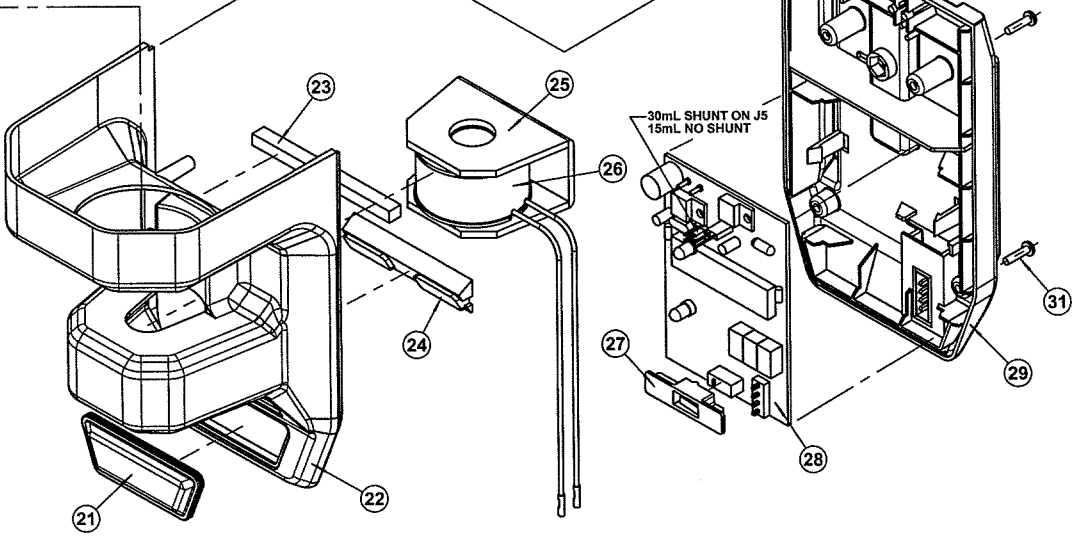
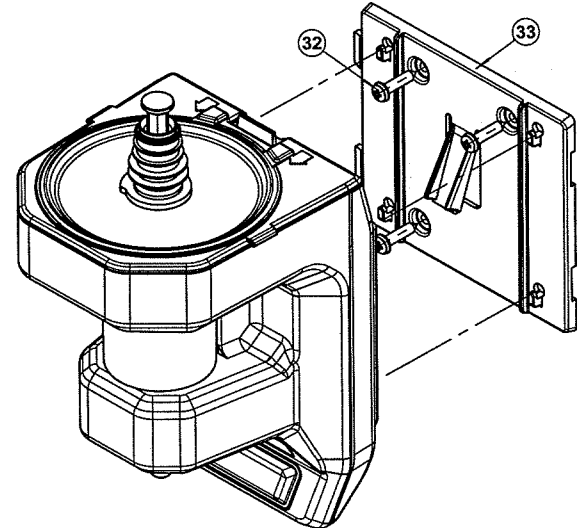
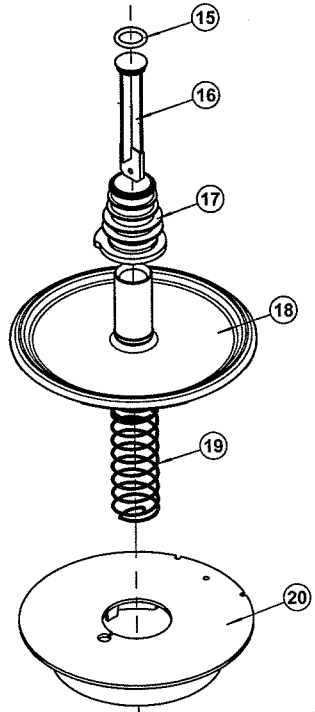
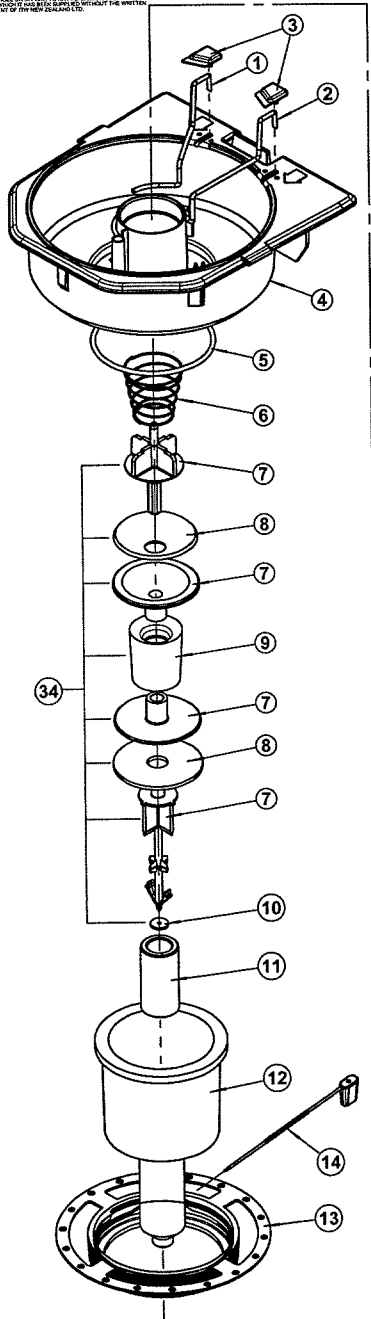
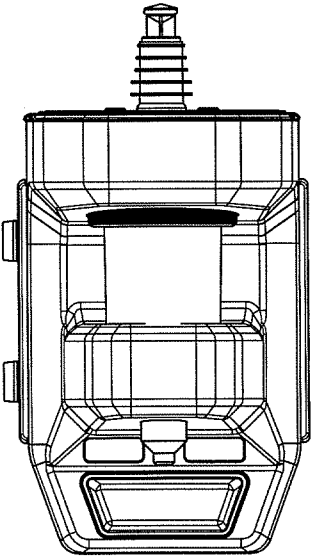


THIS DRAWING IS THE PROPERTY OF ETN QLD PTY LTD. IT IS TO BE USED ONLY FOR THE PURPOSES INTENDED. IT IS NOT TO BE REPRODUCED, COPIED, OR TRANSMITTED IN ANY FORM OR BY ANY MEANS, WITHOUT THE WRITTEN PERMISSION OF ETN QLD PTY LTD.

| REV | DESCRIPTION | DATE |
|-----|-----------------------|------------|
| 1 | MANUFACTURING DRAWING | 17/08/2005 |
| | | |
| | | |



| ITEM NO. | PART NO. | DESCRIPTION | QTY. | COMMENTS |
|----------|-------------|--------------------------------------|------|--|
| 1 | 56-0875 | ETN V4 BOTTLE LOCKOUT ELECTRODE LEFT | 1 | |
| 2 | 56-0876 | ETN BOTTLE LOCKOUT ELECTRODE RIGHT | 1 | |
| 3 | 506-0483 | ETN BOTTLE LOCKOUT CAP | 1 | LEFT HAND & RIGHT HAND |
| 4 | 506-0750 | ETN EXPANSION CHAMBER V4 | 1 | |
| 5 | 56-0778 | ETN BOWL CHIMING | 1 | |
| 6 | 56-0784 | ETN BOWL SPRING | 1 | |
| 7 | 506-0773 | ETN VALVE COMPONENTS | 1 | ETN UPPER SEAL SUPPORT ETN UPPER SEAL HOLDER ETN LOWER SEAL HOLDER ETN DRIP SEAL HOLDER |
| 8 | 56-0733 | ETN VALVE SEAL CUT | 2 | UPPER & LOWER |
| 9 | 56-0783P | ETN 30mL DISPLACEMENT SPACER PRINTED | 1 | 36-0781P 15mL SPACER PRINTED |
| 10 | 56-0734 | ETN DRIP SEAL CUT | 1 | |
| 11 | 56-0688 | ETN SLUG MK2 | 1 | |
| 12 | 506-0728/06 | ETN BOWL PRINTED 30mL | 1 | 506-0728/15 BOWL PRINTED 15mL |
| 13 | 506-0345 | ETN BOWL RETAINING RING | 1 | |
| 14 | 506-0535 | ETN PLASTIC SECURITY SEAL | 1 | |
| 15 | 53-86312 | O-RING | 1 | |
| 16 | 506-0731 | ETN BOTTLE HOLDER VALVE | 1 | |
| 17 | 506-0191 | TRU-FOUR CORK | 1 | |
| 18 | 506-0750 | ETN BOTTLE HOLDER | 1 | |
| 19 | 56-0767 | ETN BOTTLE HOLDER SPRING | 1 | |
| 20 | 506-0486 | ETN EVAPORATION DISC | 1 | |
| 21 | 506-0201 | ETN BUTTON MK2 30mL LOGO | 1 | 506-0600 15mL LOGO |
| 22 | 606-0738P | ETN4A FRONT COVER PRINTED | 1 | |
| 23 | 56-4525 | ETN FRONT TO BACK FOAM | 1 | |
| 24 | 506-0732 | ETN LENS | 1 | |
| 25 | 506-0788 | ETN SOLENOID YOKE (NATURAL BOBBIN) | 1 | |
| 26 | 56-0771 | ETN SOLENOID WINDING | 1 | |
| 27 | 506-0602 | ETN SUPPORT BUTTON | 1 | |
| 28 | 56-0657 | ETN4A CIRCUIT BOARD COUNTY | 1 | |
| 29 | 506-0743 | ETN BACK COVER | 1 | |
| 30 | 56-0274 | ETN BOTTLE LOCKOUT TERMINAL | 2 | |
| 31 | 506-0778 | TEX HEAD T10 | 4 | |
| 32 | 506-0660 | ETN WALL MOUNT PLATE SCREW | 3 | |
| 33 | 506-0552 | ETN WALL MOUNT PLATE | 1 | |
| 34 | 56-0483 | ETN VALVE ASSEMBLY 30mL | 1 | 56-0487 ETN VALVE ASSEMBLY 15 ml |



ETN⁴ V4 ASSEMBLY

NSC 4/5/16A

| | | | | | | | | |
|---|---|----------------------|------------------|--|-----------------------|-------------------------|------------------|------------------|
| 3RD ANGLE PROJECTION | UNLESS OTHERWISE SPECIFIED DIMENSIONS ARE IN MM | DO NOT SCALE DRAWING | DATE: 17/08/2005 | DESIGNED BY: GREG STREEK | DRAWN BY: GREG STREEK | CHECKED BY: GREG STREEK | DATE: 17/08/2005 | SCALE: 1:1 |
| UNLESS OTHERWISE SPECIFIED DIMENSIONS ARE IN MM DO NOT SCALE DRAWING DATE: 17/08/2005 DESIGNED BY: GREG STREEK DRAWN BY: GREG STREEK CHECKED BY: GREG STREEK DATE: 17/08/2005 SCALE: 1:1 | | | | ITW FASTEX NEW ZEALAND AN SLENDS TOOL WORKS COMPANY 7 CHAMBERN PLACE, AUCKLAND P.O. BOX 1018, HESKETH, AUCKLAND 1 TELEPHONE 04 948 1728 (D00) FAX 04 948 1878 E-MAIL: sales@itw-nz.com | | | | |
| APPROVED BY: GREG STREEK DATE: 17/08/2005 TITLE: ETN4 ASSEMBLY | | | | | | | | D 11-1122 1/1 |

| ITEM NO. | PART NO. | DESCRIPTION | QTY. | COMMENTS |
|----------|-------------|--------------------------------------|------|----------------------------------|
| 1 | 56-0875 | ETN V4 BOTTLE LOCKOUT ELECTRODE LEFT | 1 | |
| 2 | 56-0876 | ETN BOTTLE LOCKOUT ELECTRODE RIGHT | 1 | |
| 3 | 506-0485 | ETN BOTTLE LOCKOUT CAP | 1 | LEFT HAND & RIGHT HAND |
| 4 | 506-0750 | ETN EXPANSION CHAMBER V4 | 1 | |
| 5 | 56-0776 | ETN BOWL O-RING | 1 | |
| 6 | 56-0784 | ETN BOWL SPRING | 1 | |
| 7 | 506-0773 | ETN VALVE COMPONENTS | 1 | ETN UPPER SEAL SUPPORT |
| | | | 1 | ETN UPPER SEAL HOLDER |
| | | | 1 | ETN LOWER SEAL HOLDER |
| | | | 1 | ETN DRIP SEAL HOLDER |
| 8 | 56-0733 | ETN VALVE SEAL CUT | 2 | UPPER & LOWER |
| 9 | 56-0763P | ETN 30mL DISPLACEMENT SPACER PRINTED | 1 | 56-0761P 15mL SPACER PRINTED |
| 10 | 56-0734 | ETN DRIP SEAL CUT | 1 | |
| 11 | 56-0696 | ETN SLUG MK2 | 1 | |
| 12 | 506-0728/30 | ETN BOWL PRINTED 30mL | 1 | 506-0728/15 BOWL PRINTED 15mL |
| 13 | 506-0345 | ETN BOWL RETAINING RING | 1 | |
| 14 | 506-0535 | ETN PLASTIC SECURITY SEAL | 1 | |
| 15 | 53-RE012 | O-RING | 1 | |
| 16 | 506-0731 | ETN BOTTLE HOLDER VALVE | 1 | |
| 17 | 506-0191 | TRU-POUR CORK | 1 | |
| 18 | 506-0780 | ETN BOTTLE HOLDER | 1 | |
| 19 | 56-0767 | ETN BOTTLE HOLDER SPRING | 1 | |
| 20 | 506-0666 | ETN EVAPORATION DISC | 1 | |
| 21 | 506-0601 | ETN BUTTON MK2 30mL LOGO | 1 | 506-0600 15mL LOGO |
| 22 | 506-0736P | ETN4A FRONT COVER PRINTED | 1 | |
| 23 | 56-0525 | ETN FRONT TO BACK FOAM | 1 | |
| 24 | 506-0732 | ETN LENS | 1 | |
| 25 | 506-0768 | ETN SOLENOID YOKE (NATURAL BOBBIN) | 1 | |
| 26 | 56-0771 | ETN SOLENOID WINDING | 1 | |
| 27 | 506-0602 | ETN SUPPORT BUTTON | 1 | |
| 28 | 56-0657 | ETN4A CIRCUIT BOARD COUNT | 1 | |
| 29 | 506-0743 | ETN BACK COVER | 1 | |
| 30 | 56-0874 | ETN BOTTLE LOCKOUT TERMINAL | 2 | |
| 31 | 506-0779 | TEX HEAD T10 | 4 | |
| 32 | 506-0400 | ETN WALL MOUNT PLATE SCREW | 3 | |
| 33 | 506-0552 | ETN WALL MOUNT PLATE | 1 | |
| 34 | 56-0468 | ETN VALVE ASSEMBLY 30mL | 1 | 56-0467 ETN VALVE ASSEMBLY 15 mL |

F

E